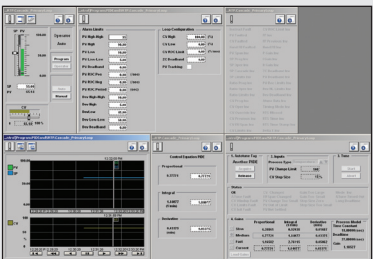


CASE PACKING



BAG PALLETIZING



PROGRAM FROM RSLOGIX

## TOP REASONS TO BUY

- Program the robot, logic, communication and peripheral motion directly from one common programming environment – RSLogix 5000
- Fast, flexible 4-axis design provides best-in-class performance
- Wide, 360-degree work envelope; minimum interference radius
- Heaviest payload in its class with highest axis speeds, wrist ratings



# MPK50

with MLX100 Robot Gateway

MATERIAL HANDLING • PACKAGING • PALLETIZING

**Payload: 50 kg**

## Fast, Flexible and Powerful

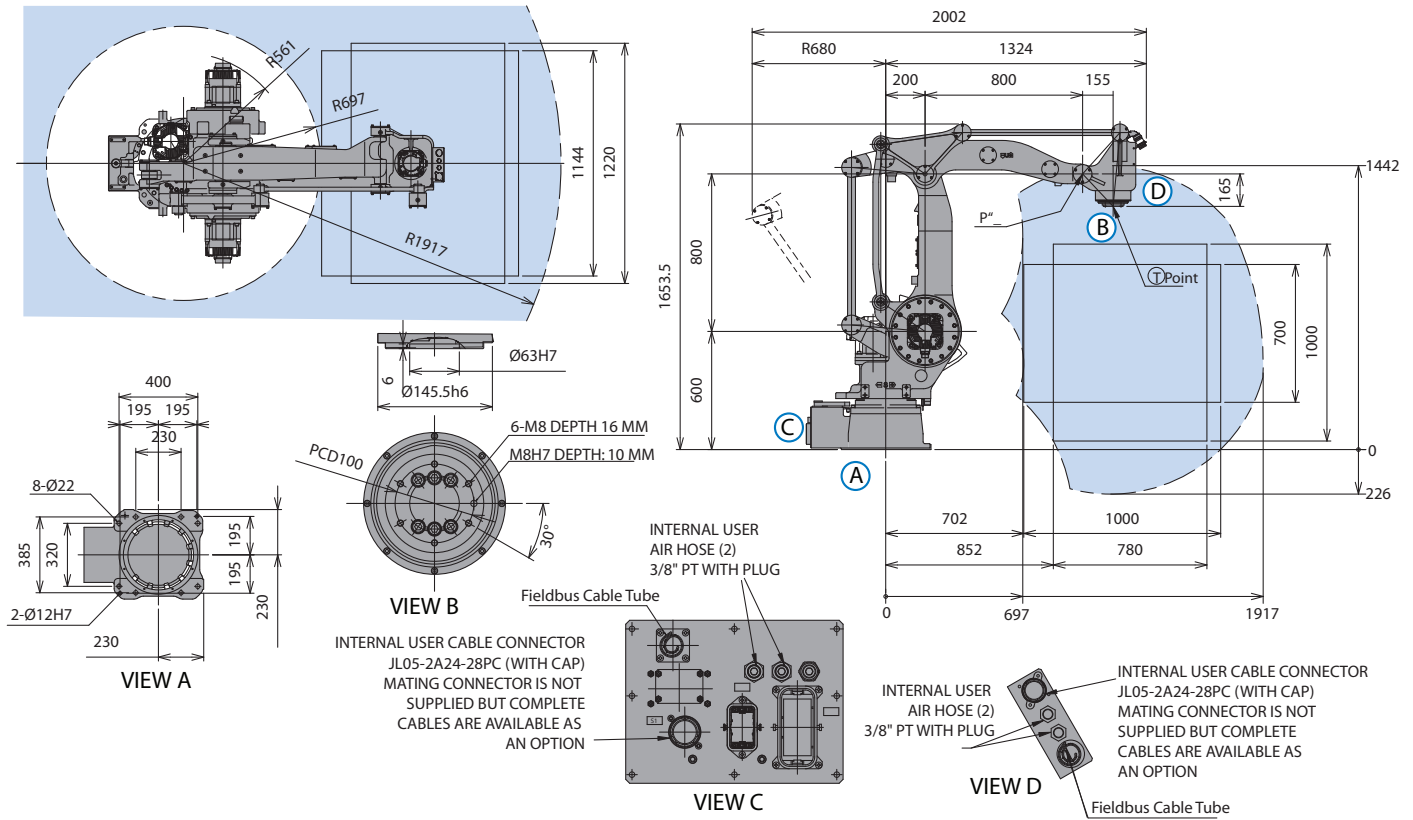
- High speed, 4-axis robot provides superior performance and reliability for packaging, palletizing and other material handling applications.
- Large work envelope with full 360-degree rotation.
- Best-in-class motion, axis speed, acceleration and wrist ratings.
- 50 kg (110.3 lb) payload; 1,668 mm (65.7") vertical reach; 1,917 mm (75.5") horizontal reach;  $\pm 0.5$  mm ( $\pm 0.02$ ") repeatability.
- Streamlined robot is only 1,014.5 mm (39.9") wide and has minimum interference radius.
- Slim design allows robot to reach into confined spaces, improving system productivity.
- Hollow-arm provides internal path ready for fieldbus cable.
- IP54 arm with IP67 wrist. IP65-rated body optional.

## MLX100 Robot Gateway

- The MLX100 Robot Gateway™ provides a single unified controls platform for the robot, motion, logic and communications all in a single platform.
- Robot kinematics and motion planning is performed on the MLX100 Robot Gateway minimizing ControlLogix® processor demand.
- The robot is programmed entirely on RSLogix™ 5000 using Add-On-Instructions (AOIs) in a ladder format that is familiar to your current maintenance department.
- I/O and motion expansion is accomplished via the ControlLogix platform.
- Yaskawa drives are matched to the robot and delivered on a compact panel suitable for installation in the existing machine.
- Training requirements are reduced by employing familiar hardware and programming software.
- The MLX100 Robot Gateway is available with a range of other Motoman® robots.

# MPK50 ROBOT with MLX100 ROBOT GATEWAY

All dimensions are metric (mm) and for reference only. Please request detail drawings for all design/engineering requirements.

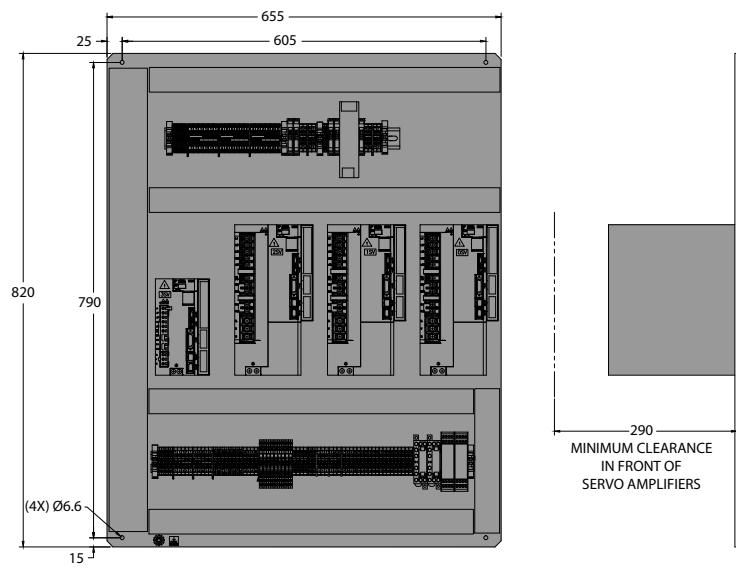


## MPK50 SPECIFICATIONS (WITH MLX100 ROBOT GATEWAY)

<b>Structure</b>	Vertical articulated type	
<b>Controlled Axes</b>	4	
<b>Payload</b>	50 kg (110.3 lbs)	
<b>Vertical Reach</b>	1,668 mm (65.7")	
<b>Horizontal Reach</b>	1,917 mm (75.5")	
<b>Repeatability</b>	±0.5 mm (0.02")	
<b>Maximum Motion Range</b>	S-Axis (Turning/Sweep)	±180°
	L-Axis (Lower Arm)	+80°/-35
	U-Axis (Upper Arm)	+15°/-105
	T-Axis (Wrist Twist)	±350°
<b>Maximum Speed</b>	S-Axis	185°/s
	L-Axis	172°/s
	U-Axis	172°/s
	T-Axis*	336°/s
<b>Approximate Mass</b>	670 kg (1,477.4 lbs)	
<b>Brakes</b>	All axes	
<b>Power Consumption</b>	6 kVA	
<b>T-Axis Allowable Inertia</b>	5.5 kg • m <sup>2</sup>	
<b>Internal User Electrical Cable</b>	23 conductors + ground	
<b>Internal User Air Hose</b>	2 - 3/8" PT connectors	

## MLX100 Robot Gateway Drive Panel

Note: Gateway will be mounted in a ControlLogix rack that is not shown.



www.motoman.com

**YASKAWA**  
MOTOMAN ROBOTICS

MOTOMAN ROBOTICS  
100 AUTOMATION WAY, MIAMISBURG, OHIO 45342  
TEL: 937.847.6200 ■ FAX: 937.847.6277

TECHNICAL SPECIFICATIONS SUBJECT TO CHANGE WITHOUT NOTICE  
DS-494-A ©2011 YASKAWA AMERICA, INC. JULY 2011

MOTOMAN IS A REGISTERED TRADEMARK  
RSLOGIX IS A TRADEMARK OF ROCKWELL AUTOMATION, INC.  
CONTROLLOGIX IS A REGISTERED TRADEMARK OF ROCKWELL AUTOMATION, INC.  
ALL OTHER MARKS ARE THE TRADEMARKS AND REGISTERED TRADEMARKS OF YASKAWA AMERICA, INC.