

MOTOMAN-MA1440 INSTRUCTIONS

SUPPLEMENTARY FOR TYPE: YR-MA01440-A71

Upon receipt of the product and prior to initial operation, read these instructions thoroughly, and retain for future reference.

MOTOMAN INSTRUCTIONS

- MOTOMAN-MA1440 INSTRUCTIONS
- DX100 INSTRUCTIONS
- DX100 OPERATOR'S MANUAL
- DX100 MAINTENACE MANUAL

The DX100 operator's manuals above correspond to specific usage.
Be sure to use the appropriate manual.

Part Number: 171331-1CD
Revision: 0

Copyright © 2014, Yaskawa America, Inc. All Rights Reserved.

Introduction

This supplement instruction manual describes how YR-MA01440-A71 (hereinafter referred to as MA1440-A71) is different from the YR-MA1440/MH12-A00 (MOTOMAN-MA1440) (hereinafter referred to as MA1440-A00).

When using MA1440-A71, read this supplement instruction manual thoroughly with:
“MOTOMAN-MA1440 INSTRUCTIONS” (165830-1CD).

Differences

The MA1440-A71 differ from the MA1440-A00 in the following points:

1. Controller
 - The type of controller is different.
DX200 → DX100
2. Axis Name, Axis Direction
 - Axes are differently named as follows.

S-axis	→	JT1-axis
L-axis	→	JT2-axis
U-axis	→	JT3-axis
R-axis	→	JT4-axis
B-axis	→	JT5-axis
T-axis	→	JT6-axis

- Also, following axes have different rotating directions.

JT1 (S)
JT4 (R)
JT6 (T)

3. Dimension
 - With Servo ON Lamp
 - With S-, L-, U-axis overrun limit switch
4. Internal Connections

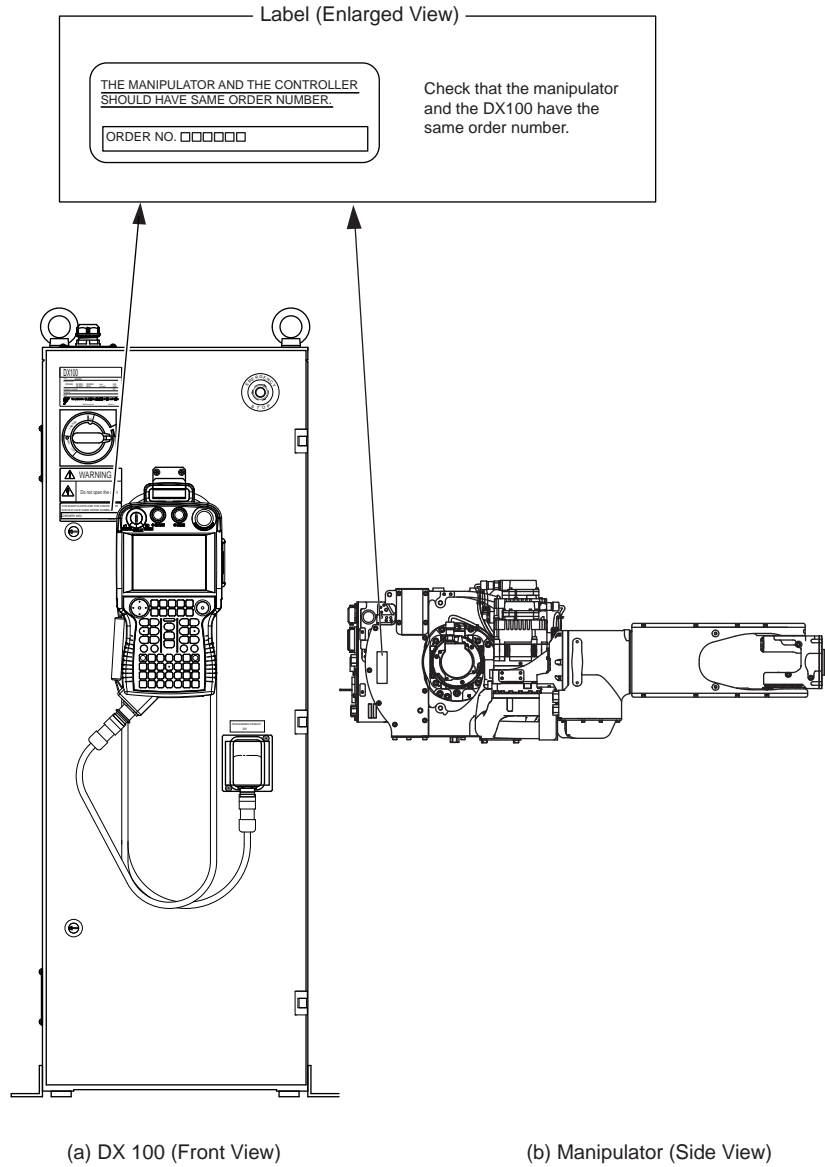
The differences are described based on “MOTOMAN-MA1440 INSTRUCTIONS”(165830-1CD).
Read this manual thoroughly replacing the subject matters for changes with this supplementary instruction manual.

1 Product Confirmation

1.2 Order Number Confirmation

The type of controller is different.

Fig. 1-1: Location of Order Number Labels

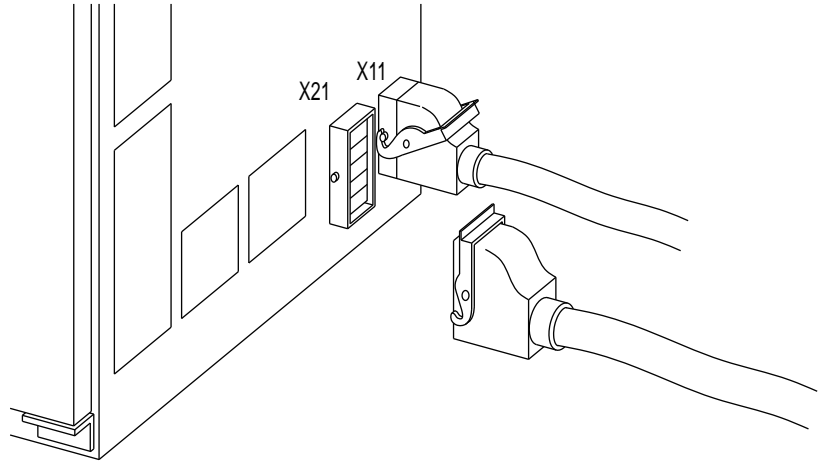


4 Wiring

4.2 Cable Connection

Because the type of controller is different, the location to connect manipulator cables is different.

Fig. 4-3(b): Manipulator Cable Connection (DX100 Side)

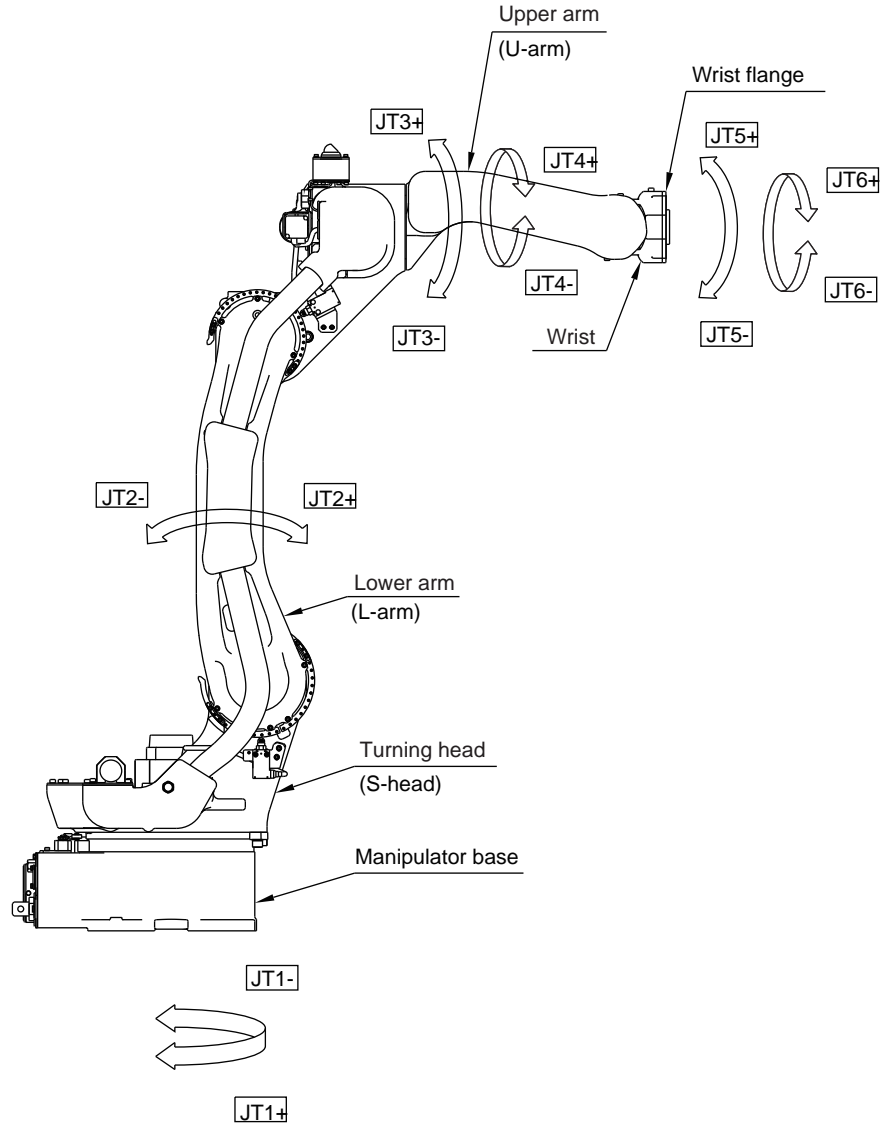


5 Basic Specifications

5.2 Part Names and Working Axes (page 5-2)

JT1-, JT4-, JT6-axis have different rotary directions.

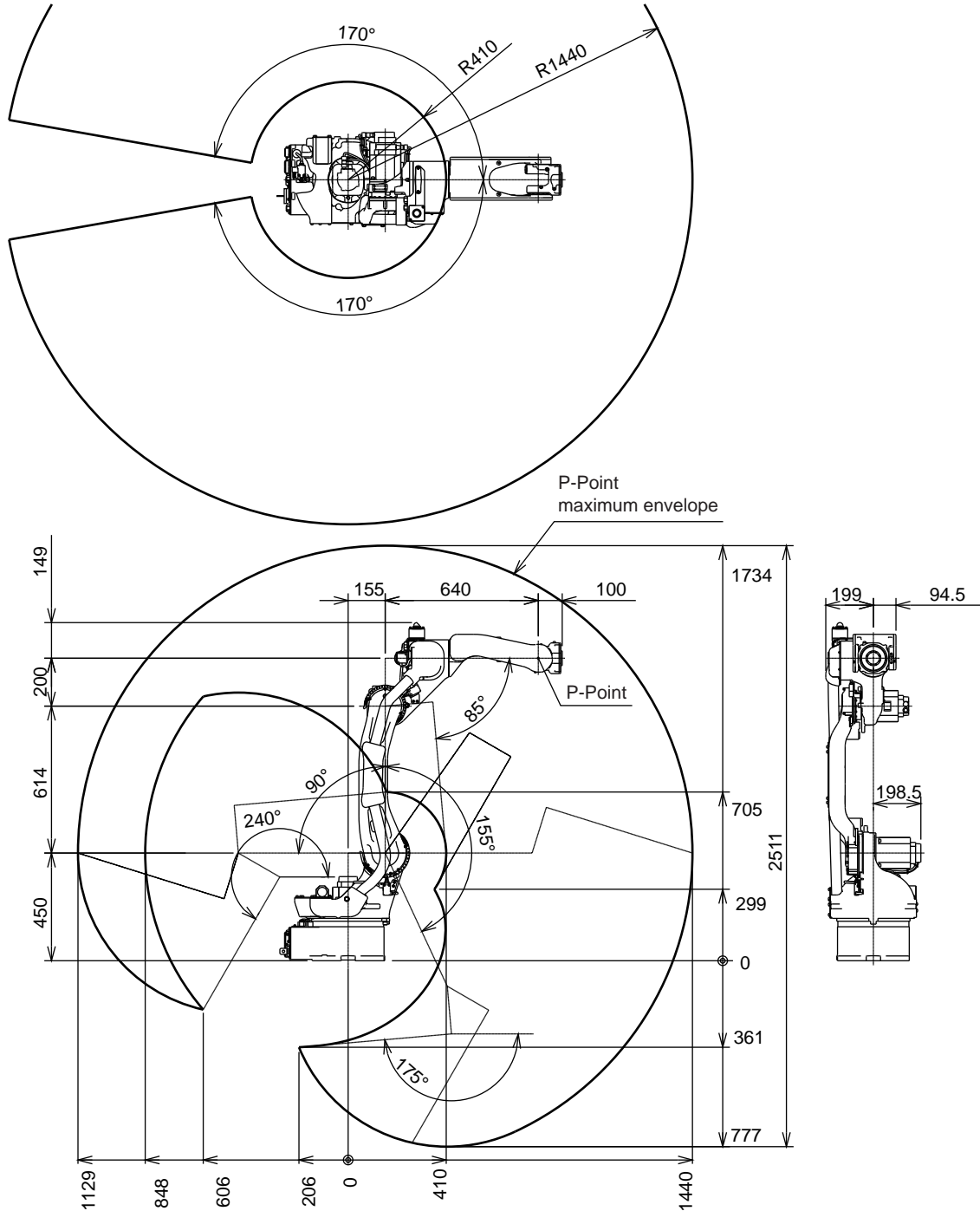
Fig. 5-1: Part Names and Working Axes



5.4 Dimensions and P-Point Maximum Envelope (page 5-3)

The Dimensions are different since this manipulator has a Servo ON Lamp.

Fig. 5-3(a): Dimensions and P-Point Maximum Envelope (YR-MA01440-A71)



8.2 Internal Connections (page 8-3)

The Internal Connection Diagram is changed because the type of the controller is different.

Fig. 8-3(a): Internal Connection Diagram

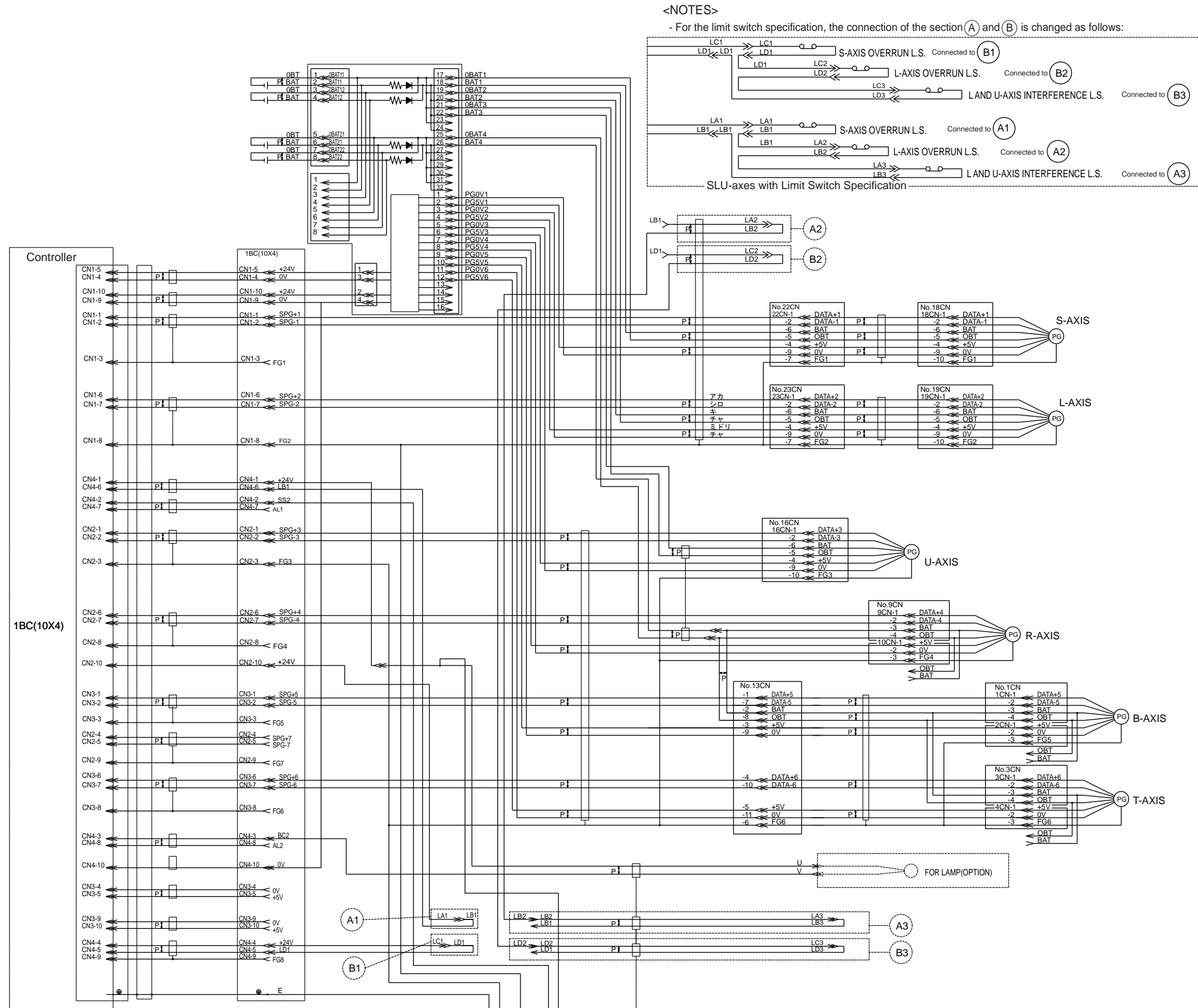
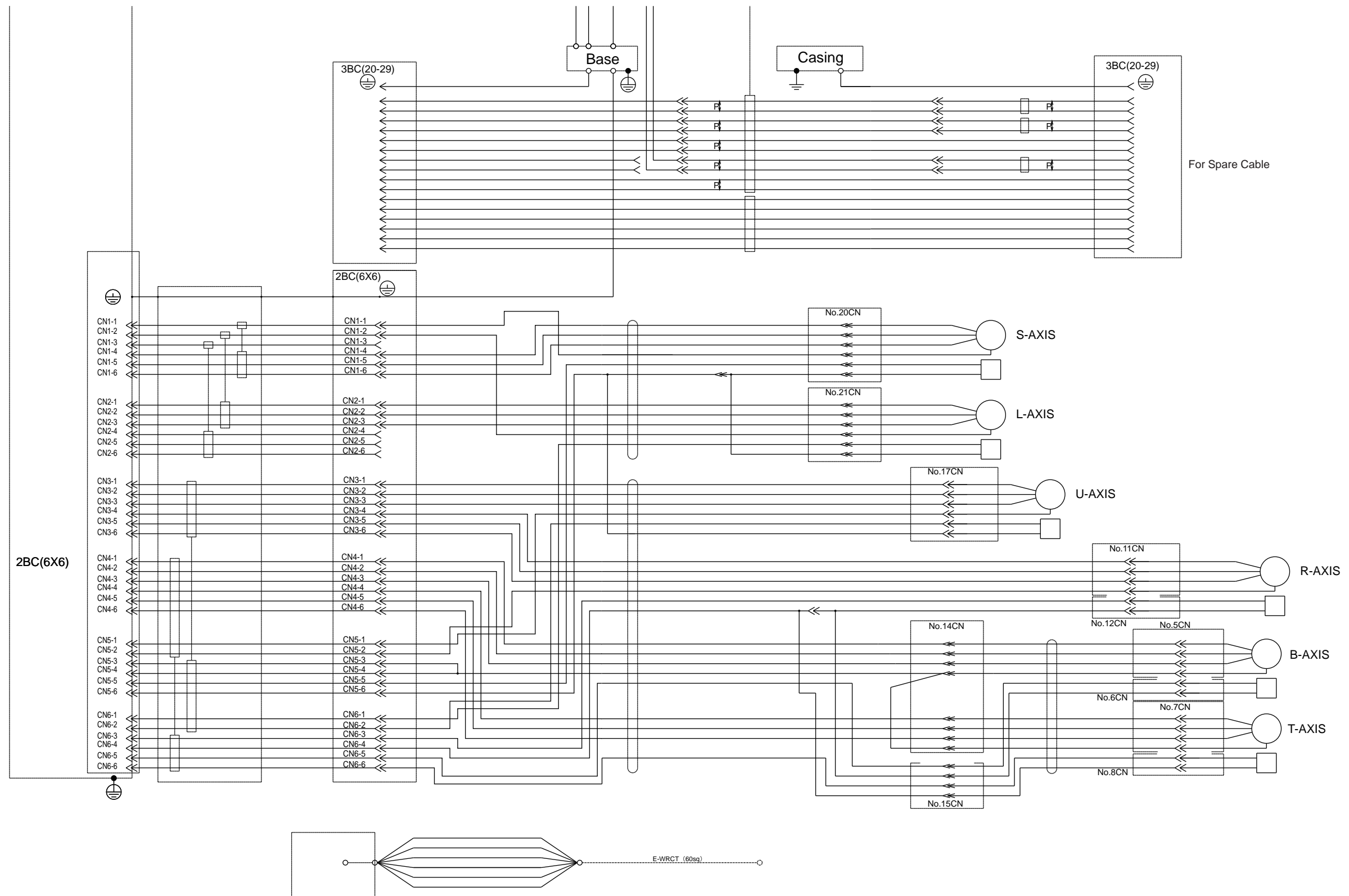


Fig. 8-3(b): Internal Connection Diagram



MOTOMAN-MA1440

INSTRUCTIONS

SUPPLEMENTARY FOR TYPE: YR-MA01440-A71

HEAD OFFICE

2-1 Kurosakishiroishi, Yahatanishi-ku, Kitakyushu 806-0004, Japan
Phone +81-93-645-7703 Fax +81-93-645-7802

YASKAWA America Inc. (Motoman Robotics Division)
100 Automation Way, Miamisburg, OH 45342, U.S.A.
Phone +1-937-847-6200 Fax +1-937-847-6277

YASKAWA Europe GmbH (Robotics Division)
Yaskawastrasse 1, 85391 Allershausen, Germany
Phone +49-8166-90-100 Fax +49-8166-90-103

YASKAWA Nordic AB
Bredbandet 1 vån. 3 varvsholmen 392 30 Kalmar, Sweden
Phone +46-480-417-800 Fax +46-480-417-999

YASKAWA Electric (China) Co., Ltd.
22/F One Corporate Avenue No.222, Hubin Road, Huangpu District, Shanghai 200021, China
Phone +86-21-5385-2200 Fax +86-21-5385-3299

YASKAWA SHOUGANG ROBOT Co. Ltd.
No7 Yongchang North Road, Beijing E&T Development Area, China 100176
Phone +86-10-6788-2858 Fax +86-10-6788-2878

YASKAWA India Private Ltd. (Robotics Division)
#426, Udyog Vihar, Phase- IV, Gurgaon, Haryana, India
Phone +91-124-475-8500 Fax +91-124-475-8542

YASKAWA Electric Korea Co., Ltd
9F, Kyobo Securities Bldg., 26-4, Yeouido-dong, Yeongdeungpo-gu, Seoul 150-737, Korea
Phone +82-2-784-7844 Fax +82-2-784-8495

YASKAWA Electric Taiwan Corporation
12F, No.207, Sec. 3, Beishin Rd., Shindian District, New Taipei City 23143, Taiwan
Phone +886-2-8913-1333 Fax +886-2-8913-1513

YASKAWA Electric (Singapore) PTE Ltd.
151 Lorong Chuan, #04-02A, New Tech Park, Singapore 556741
Phone +65-6282-3003 Fax +65-6289-3003

YASKAWA Electric (Thailand) Co., Ltd.
252/125-126 27th Floor, Tower B Muang Thai-Phatra Complex Building,
Rachadaphisek Road, Huaykwang, Bangkok 10320, Thailand
Phone +66-2693-2200 Fax +66-2693-4200

PT. YASKAWA Electric Indonesia
Menara Anugrah Lantai 1, Kantor Taman E.3.3, Jl Mega Kuningan Lot 8.6-8.7, Kawasan
Mega Kuningan, Jakarta, Indonesia
Phone +62-21-57941845 Fax +62-21-57941843

Specifications are subject to change without notice
for ongoing product modifications and improvements.